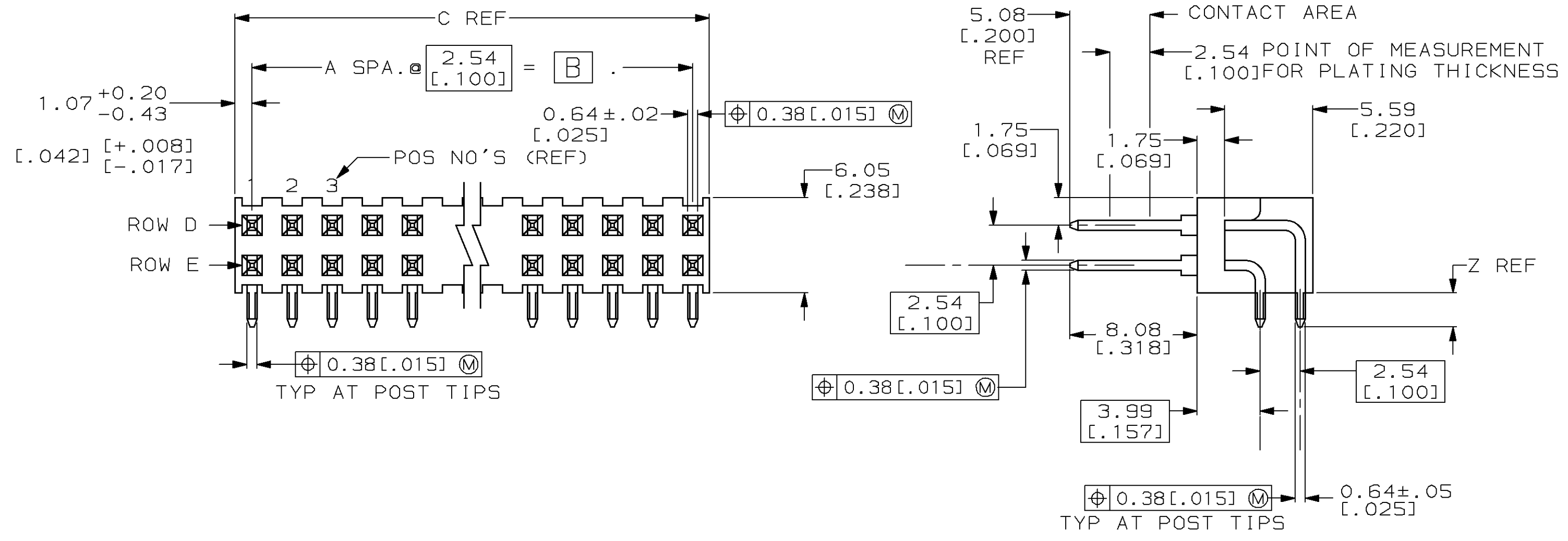
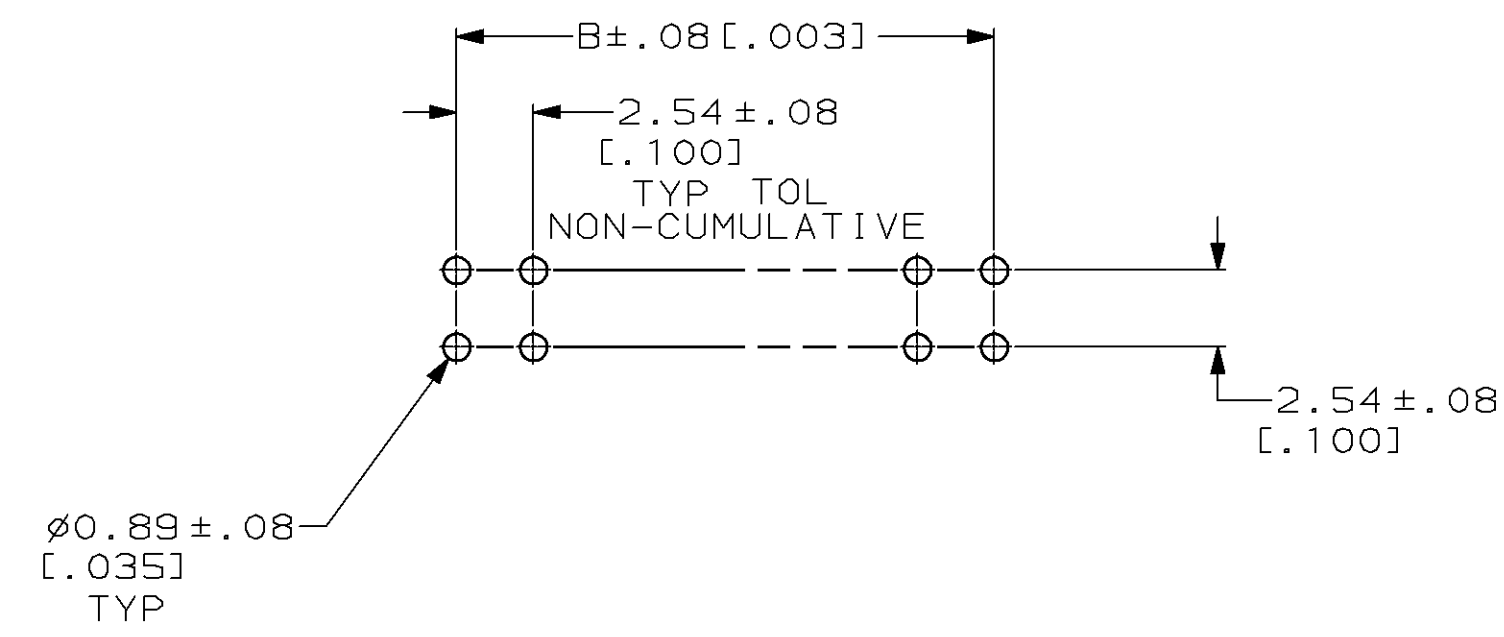


LOC		DIST		REV		REVISIONS		
AD	39	P	F	ZONE	LTR	DESCRIPTION	DATE	APPD
		P				REDRAWN PER 0010-0656-94 JK	5-16-94	JK
		R				REV PER 0310-0371-97 SAS	9-25-97	SAS
		S				REV PER 0310-0463-97 SAS	24-NOV-97	SAS



△ .000030 GOLD ON CONTACT AREA, GOLD FLASH ON SOLDER AREA, ALL OVER .000050 NICKEL



RECOMMENDED BOARD LAYOUT

1, 3, 6, 8, 9	1, 3, 6, 7, 14	2.79 [0.110]	55.47 [2.184]	53.34 [2.100]	21	44	4-86479-9
1, 3, 6, 8, 9	15, 18, 20, 21	2.79 [0.110]	98.65 [3.884]	96.52 [3.800]	36	74	4-86479-6
1, 9, 15	3, 11, 17	2.79 [0.110]	93.57 [3.684]	91.44 [3.600]	36	74	4-86479-6
22, 24, 29, 35		2.79 [0.110]	24.99 [0.984]	22.86 [0.900]	9	20	4-86479-5
3	4	2.79 [0.110]	101.19 [3.984]	99.06 [3.900]	39	80	4-86479-4
NONE	NONE	2.79 [0.110]	98.65 [3.884]	96.52 [3.800]	38	78	4-86479-3
NONE	NONE	2.79 [0.110]	96.11 [3.784]	93.98 [3.700]	37	76	4-86479-2
NONE	NONE	2.79 [0.110]	93.57 [3.684]	91.44 [3.600]	36	74	4-86479-1
NONE	NONE	2.79 [0.110]	91.03 [3.584]	88.90 [3.500]	35	72	4-86479-0
NONE	NONE	2.79 [0.110]	88.49 [3.484]	86.36 [3.400]	34	70	3-86479-9
NONE	NONE	2.79 [0.110]	85.95 [3.384]	83.82 [3.300]	33	68	3-86479-8
NONE	NONE	2.79 [0.110]	83.41 [3.284]	81.28 [3.200]	32	66	3-86479-7
NONE	NONE	2.79 [0.110]	80.87 [3.184]	78.74 [3.100]	31	64	3-86479-6
NONE	NONE	2.79 [0.110]	78.33 [3.084]	76.20 [3.000]	30	62	3-86479-5
NONE	NONE	2.79 [0.110]	75.79 [2.984]	73.66 [2.900]	29	60	3-86479-4
NONE	NONE	2.79 [0.110]	73.25 [2.884]	71.12 [2.800]	28	58	3-86479-3
NONE	NONE	2.79 [0.110]	70.71 [2.784]	68.58 [2.700]	27	56	3-86479-2
NONE	NONE	2.79 [0.110]	68.17 [2.684]	66.04 [2.600]	26	54	3-86479-1
NONE	NONE	2.79 [0.110]	65.63 [2.584]	63.50 [2.500]	25	52	3-86479-0
NONE	NONE	2.79 [0.110]	63.09 [2.484]	60.96 [2.400]	24	50	2-86479-9
NONE	NONE	2.79 [0.110]	60.55 [2.384]	58.42 [2.300]	23	48	2-86479-8
NONE	NONE	2.79 [0.110]	58.01 [2.284]	55.88 [2.200]	22	46	2-86479-7
NONE	NONE	2.79 [0.110]	55.47 [2.184]	53.34 [2.100]	21	44	2-86479-6
NONE	NONE	2.79 [0.110]	52.93 [2.084]	50.80 [2.000]	20	42	2-86479-5
NONE	NONE	2.79 [0.110]	50.39 [1.984]	48.26 [1.900]	19	40	2-86479-4
NONE	NONE	2.79 [0.110]	47.85 [1.884]	45.72 [1.800]	18	38	2-86479-3
NONE	NONE	2.79 [0.110]	45.31 [1.784]	43.18 [1.700]	17	36	2-86479-2
NONE	NONE	2.79 [0.110]	42.77 [1.684]	40.64 [1.600]	16	34	2-86479-1
NONE	NONE	2.79 [0.110]	40.23 [1.584]	38.10 [1.500]	15	32	2-86479-0
NONE	NONE	2.79 [0.110]	37.69 [1.484]	35.56 [1.400]	14	30	1-86479-9
NONE	NONE	2.79 [0.110]	35.15 [1.384]	33.02 [1.300]	13	28	1-86479-8
NONE	NONE	2.79 [0.110]	27.53 [1.084]	25.40 [1.000]	10	22	1-86479-7
NONE	NONE	2.79 [0.110]	9.75 [0.384]	7.62 [0.300]	3	8	1-86479-6
NONE	NONE	2.79 [0.110]	7.21 [0.284]	5.08 [0.200]	2	6	1-86479-5
NONE	NONE	2.79 [0.110]	4.67 [0.184]	2.54 [0.100]	1	4	1-86479-4
NONE	NONE	2.79 [0.110]	2.13 [0.084]	-	-	2	1-86479-3
NONE	NONE	2.79 [0.110]	-	-	-	-	1-86479-2
NONE	NONE	2.79 [0.110]	24.99 [0.984]	22.86 [0.900]	9	19	1-86479-1
NONE	NONE	2.79 [0.110]	32.61 [1.284]	30.48 [1.200]	12	26	1-86479-0
NONE	NONE	2.79 [0.110]	-	-	-	-	86479-9
NONE	NONE	2.79 [0.110]	-	-	-	-	86479-8
NONE	NONE	2.79 [0.110]	30.07 [1.184]	27.94 [1.100]	11	24	86479-7
NONE	NONE	2.79 [0.110]	22.45 [0.884]	20.32 [0.800]	8	18	86479-6
NONE	NONE	2.79 [0.110]	17.37 [0.684]	15.24 [0.600]	6	14	86479-5
NONE	NONE	2.79 [0.110]	14.83 [0.584]	12.70 [0.500]	5	12	86479-4
NONE	NONE	2.79 [0.110]	12.29 [0.484]	10.16 [0.400]	4	10	86479-3
NONE	NONE	2.79 [0.110]	19.91 [0.784]	17.78 [0.700]	7	16	86479-2
NONE	NONE	2.79 [0.110]	24.99 [0.984]	22.86 [0.900]	9	20	86479-1
ROW E	ROW D	Z	C	B	A	NO OF POSN	PART NUMBER
POSTS OMITTED							

OBSOLETE  
 OBSOLETE  
 SUPERSEDED BY 4-87230-2  
 SUPERSEDED BY 4-87230-1

DO NOT SCALE PRINT. UNLESS SPECIFIED DIMENSIONS IN mm [INCHES] TOLERANCES ON: 2 PLC DEC ± .13 [0.005] ANGLES ± -

MATERIAL: HSG-FLAME RETARDANT THERMOPLASTIC COLOR-BLACK  
 POSTS- PHOS. BRONZE  
 FINISH: △

DR 5-16-94 J KNAUB  
 CHK 5-17-94 J KNITTLE  
 APPD 5-17-94 J KNITTLE  
 APPD 5-17-94 J KNITTLE  
 PRODUCT SPEC -  
 APPLICATION SPEC -  
 WEIGHT -

AMP Incorporated  
 Harrisburg, PA 17105-3608

NAME: ASSEMBLY, MOD II, DOUBLE ROW .100 X .100, RIGHT ANGLE WITH SPANKED TAILS

SIZE: D  
 CAGE CODE: 00779  
 DRAWING NO: C-86479

SCALE: 4:1  
 SHEET: 1 OF 1

THIS DRAWING IS A CONTROLLED DOCUMENT FOR AMP INCORPORATED. IT IS SUBJECT TO CHANGE AND THE CONTROLLING ENGINEERING ORGANIZATION SHOULD BE CONTACTED FOR THE LATEST REVISION.